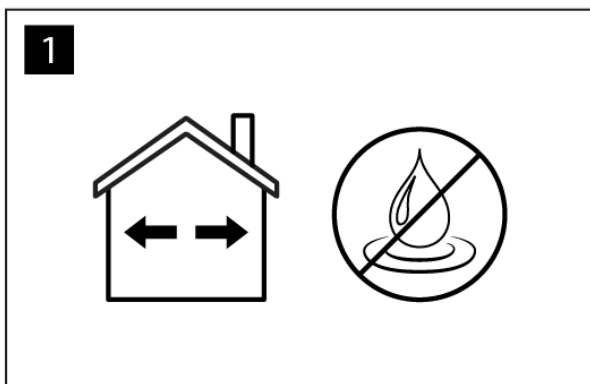


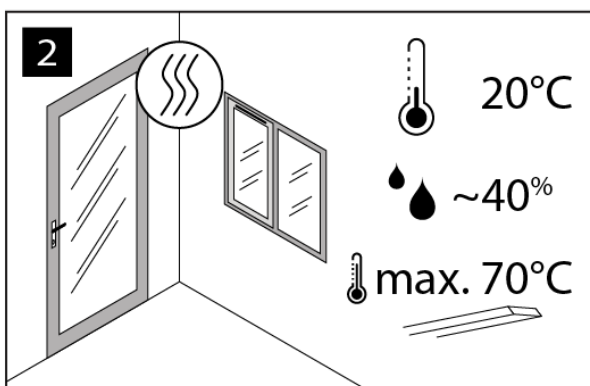
HDF interior wall panels – 11mm

Read the instructions carefully before the installation of the interior wall panels

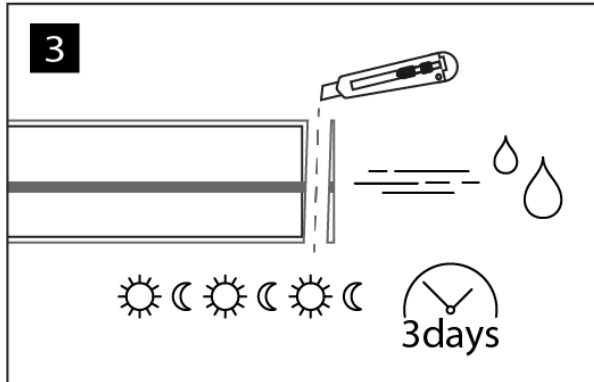
Before installation



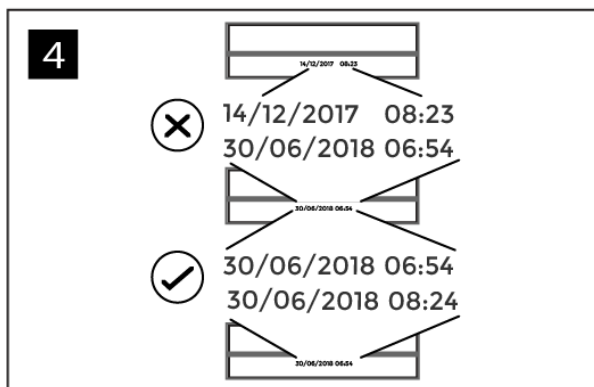
- Note that the interior wall panels are meant only for indoor use and they must not be in direct contact with moisture.
- Interior wall panels are not suitable to be installed to the ceiling.
- Any faults in the materials shall be reported to prior to the installation.



- The interior wall panel suits only for premises where the room temperature and humidity are normal, approx. 20°C, and the relative humidity is approx. 40%, i.e. the walls and the ceiling of the room shall be dry with window glasses and doors installed.
- Interior wall panels should not be exposed to continuous temperatures of over 70°C.

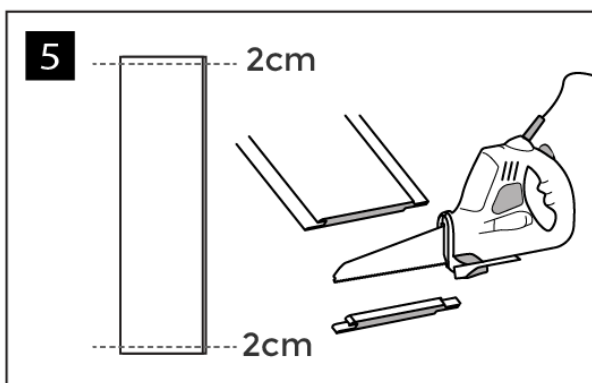


- The temperature and humidity of the interior wall panels shall be let to stabilise to the same temperature and humidity with the installation environment for three days before the installation. There is no need to open the packages completely, it is enough that you make a hole to the ends of the packages from where the humidity can be removed.

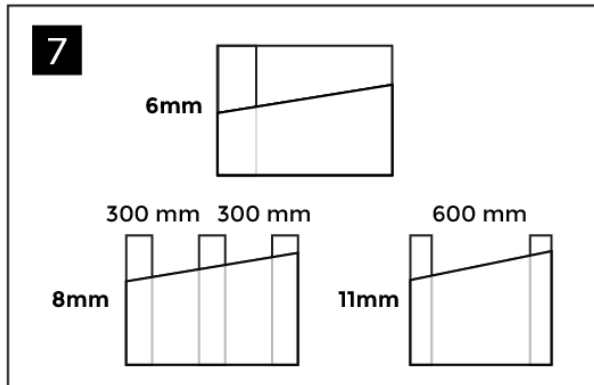


- Large surfaces should be made of the same production batch. The batch number can be found on the bottom interior panel of the package.

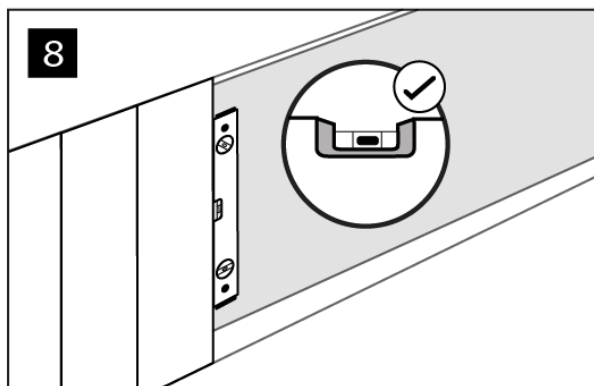
Installation



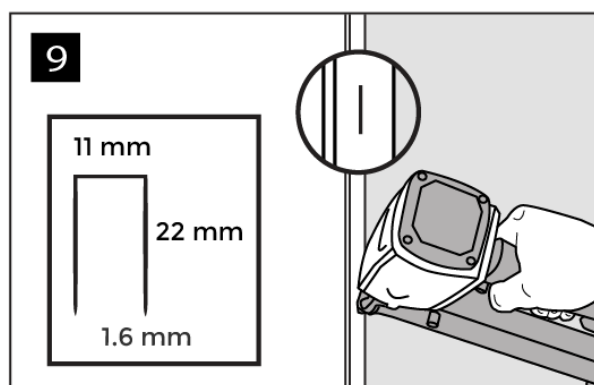
- The product is oversized, which allows a small tear in the film surface and skew (2 cm) within the dimension.
- Sawing the end cuts of the product, you make a successful installation and a sleek finish.



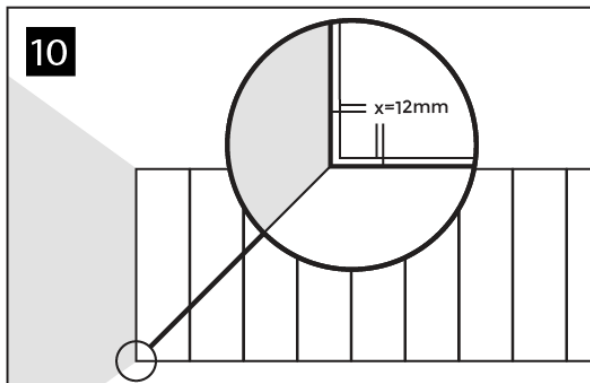
- The interior panels can be attached to the top of the supporting rails, if the width of the bottom rail is at least 70 mm and the distance from centre to centre is 600 mm.
- Interior wall panels must be installed parallel to the joists.



- To facilitate the installation, bring the board slightly over the already installed board. Pull the board backwards until the boards are at the same level, and push in to the tongue and groove joint.
- Using a spirit level, the panels can be installed straight. Installing the first panel straight is important to make the installation progress correctly.



- Tongued and grooved wall panels are attached with a staple gun. The distance between the staples should be approx. 200 mm.
- Use at least a 22 mm long, 11 mm wide and 1,6 mm thick staples. The staple is shot diagonally to the lower intruding tongue of the female groove.
- To make the installation of the panels possible, the staples must remain on the same level with the groove.



- Leave a minimum expansion room of 12 mm between the interior panels and the wall or some other surface limited to the panel. If the length or the width of the face is over 6 metres, add 2 mm of the expansion space for each extra metre. The seam is covered by ceiling mouldings, baseboards, and universal mouldings.
- The wall sockets can be raised to the same level with the wall surface with a heightening ring.

Maler Oy shall replace a faulty product with a new equivalent product or up to the price of the defective product. Maler Oy is not responsible for indirect costs.