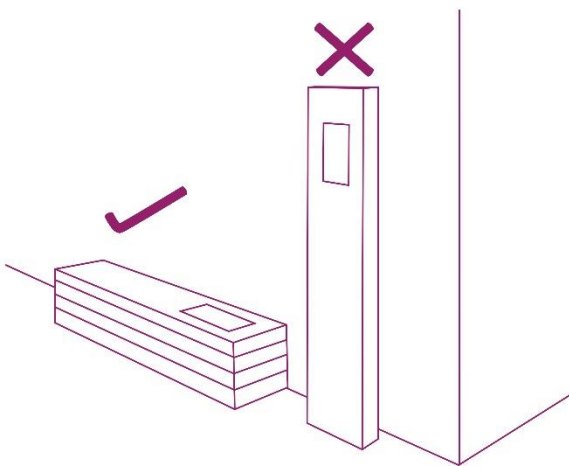


ART SPA Wall panels

Read the instructions carefully before the installation of the wall panels

Before installation

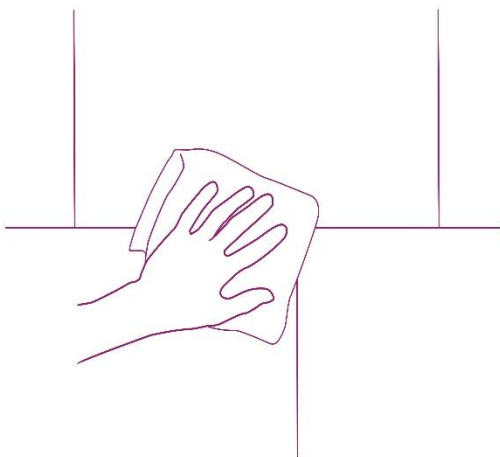


Storage

- To avoid deformation in the product, it has to be collocated in a horizontal way.

NB: More instructions on how to install panels in wet spaces can be found at the end of the page

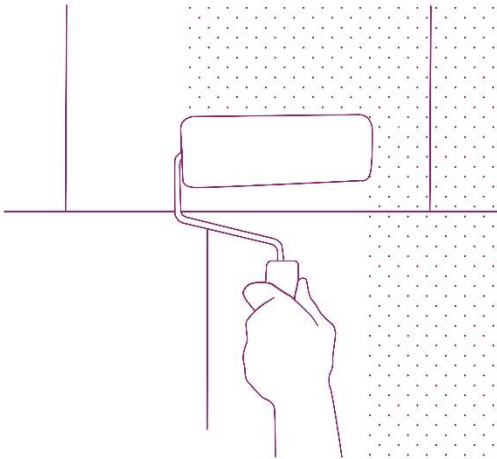
Background



Clean the surface

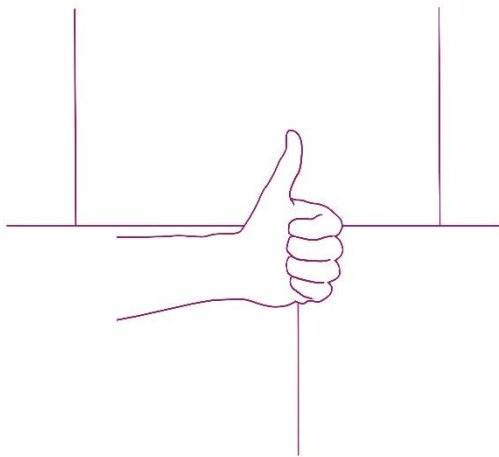
- Be sure that the surface is clean and out of greases.

Installation Instruction



Preparation of the wall

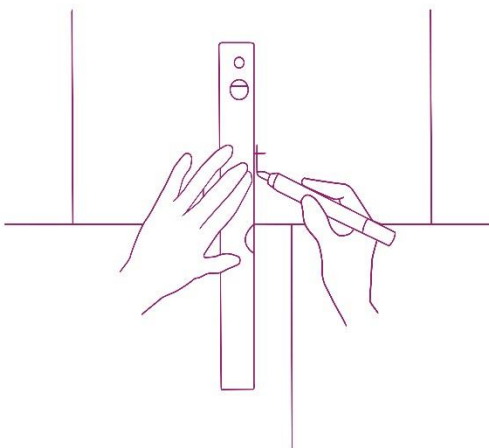
- ART SPA Wall panels can be installed directly on many surfaces. However, if your wall is porous (concrete, plaster, wood...) we recommend the application of a primer to obtain the best fixation in the wall.



Wall perfect to start working

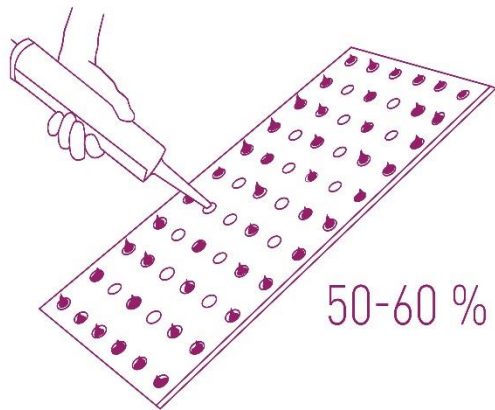
- If your wall is not porous (because is not concrete, plaster, wood...), it is ready to start working.

Installation



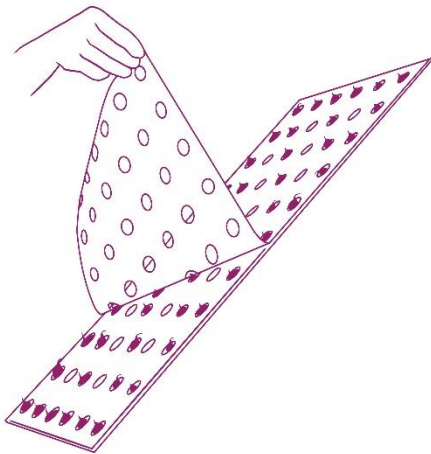
Mark the center of the wall

- Mark horizontally and vertically the center, you will obtain 4 angles of 90°, this will help to have a reference to put the first tile.



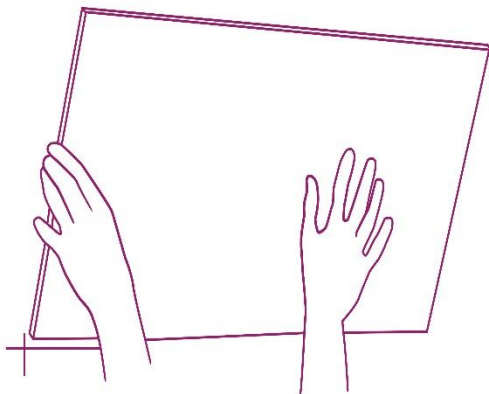
Apply the installation glue

- Each tile has an adhesive foam with holes for the installation glue to get the optimum adherence. It is recommended to apply installation glue in the 50% or 60% of the holes.



Remove the protector film

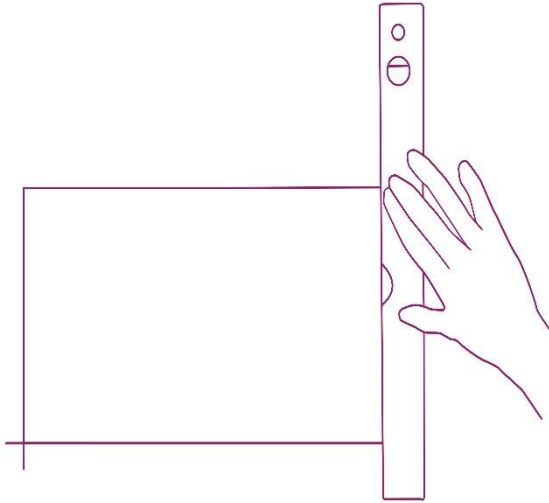
- Take off the auto-adhesive protector paper to stick the tile over the wall.



Stick the tile

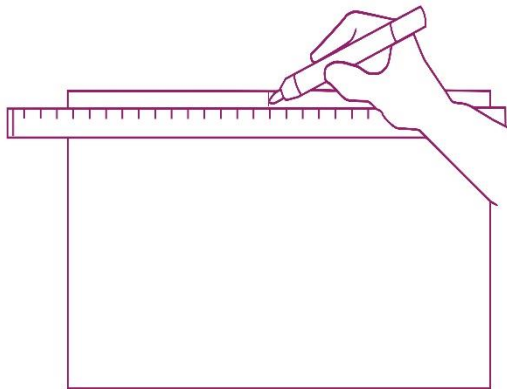
- Collocate the first tile in one of the corners of the marked cross in the center of the wall. Apply during a few seconds a light pressure in the tile from the exterior to the center to get stacked.

Installation Instruction

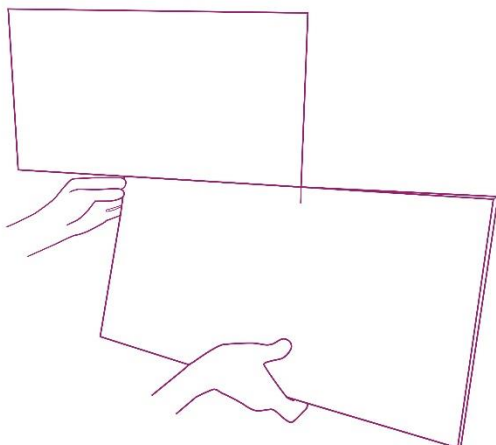


Verify that the tile is alienated

- Check with a leveler that the first tile is alienated with the center.



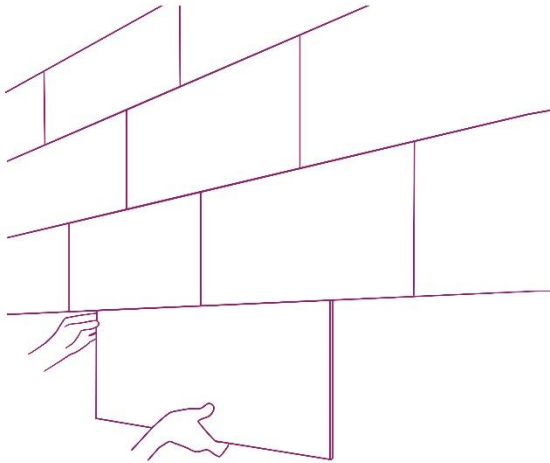
Mark the center of the following tile



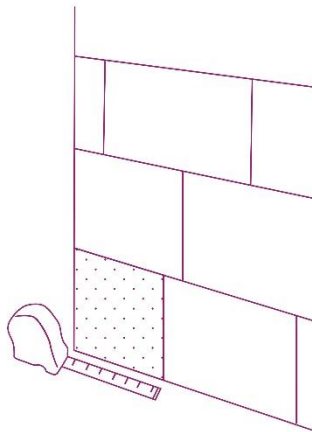
Collocate the following tile alienated with the center of the wall

- Using the center marked cross and the first tile to get oriented, stick the tile below the first one.

Installation Instruction

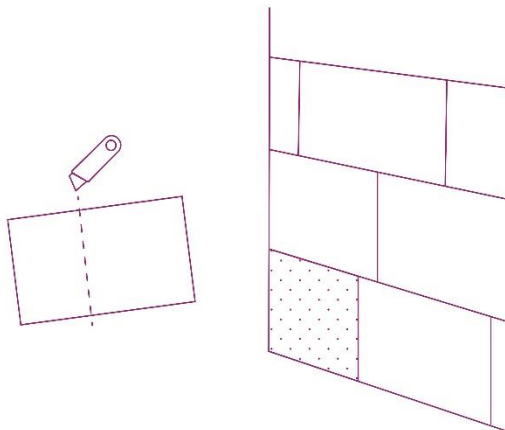


Collocate the following tiles



Measure the necessary cut

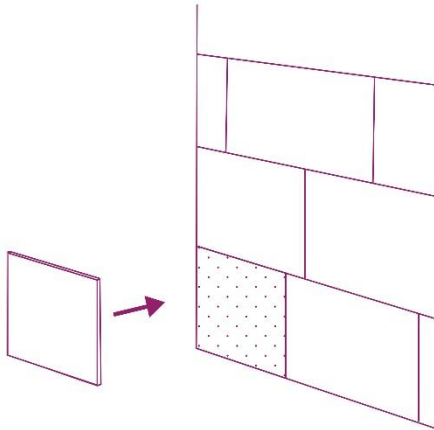
- When installing the last tile, measure the cutting point of the piece of tile needed on the wall.



Cut the excess with a cutter

- Using a regular tile, mark the space necessary and cut the excess of the tile just with a cutter

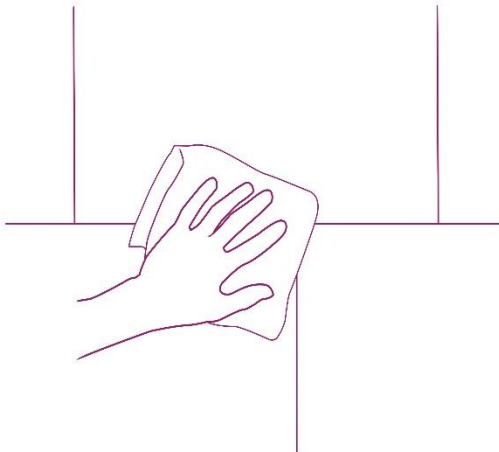
Installation Instruction



Collocate the cut tile

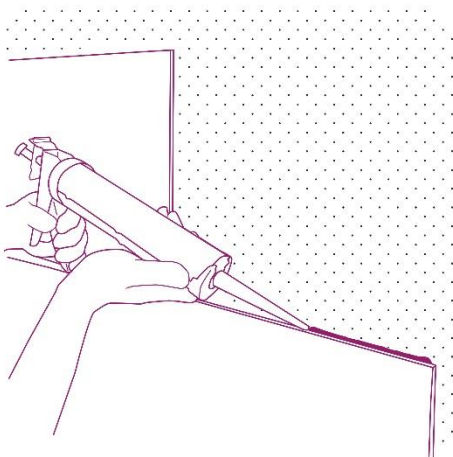
- Apply installation glue to the holes on the backing and stick the cut tile on the corner.

Shower installation



Clean the surface

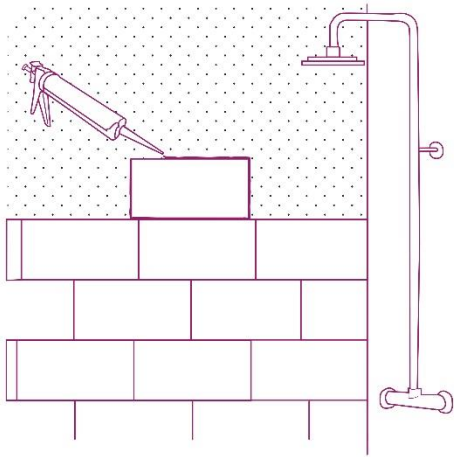
- Clean it with alcohol and be sure that the surface is clean and out of greases.



Apply sealant silicone

- Apply sealant silicone around the perimeter of each tile before its installation.

Installation Instruction



Remove excess

- Remove the excess silicone with the finger